

Service Manual

 **PIONEER®**
The Art of Entertainment

ORDER NO.
RRV1966

AUDIO/VIDEO MULTI-CHANNEL RECEIVER

VSX-11

● Refer to the service manual RRV1911 for VSX-D507S/KUXJI.

THIS MANUAL IS APPLICABLE TO THE FOLLOWING MODEL(S) AND TYPE(S).

| Type | Model | Power Requirement | Remarks |
|----------|-------|-------------------|---------|
| | VSX11 | | |
| KUXJI/CA | ○ | AC120V | |

CONTENTS

| | |
|--|----|
| 1. CONTRAST OF MISCELLANEOUS PARTS | 2 |
| 2. SCHEMATIC DIAGRAM | 6 |
| 3. PCB CONNECTION DIAGRAM | 16 |
| 4. GENERAL INFORMATION | 17 |
| 4.1 ATTACHING THE DOOR PANEL | 17 |

1. CONTRAST OF MISCELLANEOUS PARTS

- NOTES :
- Parts marked by “ NSP ” are generally unavailable because they are not in our Master Spare Parts List.
 - The Δ mark found on some component parts indicates the importance of the safety factor of the part. Therefore, when replacing, be sure to use parts of identical designation.
 - Reference Nos. indicate the pages and Nos. in the service manual for the base model.
 - Screw adjacent to \blacktriangledown mark on the product are used for disassembly.
 - When ordering resistors, first convert resistance values into code form as shown in the following examples.
- Ex. 1 When there are 2 effective digits (any digit apart from 0), such as 560 ohm and 47k ohm (tolerance is shown by $J = 5\%$, and $K = 10\%$).
- 560 $\Omega \rightarrow 56 \times 10^1 \rightarrow 561$ RD1/4PU 5 6 1 J
 47k $\Omega \rightarrow 47 \times 10^3 \rightarrow 473$ RD1/4PU 4 7 3 J
 0.5 $\Omega \rightarrow R50$ RN2H R 5 0 K
 1 $\Omega \rightarrow 1R0$ RSIP 1 R 0 K
- Ex. 2 When there are 3 effective digits (such as in high precision metal film resistors).
- 5.62k $\Omega \rightarrow 562 \times 10^1 \rightarrow 5621$ RN1/4PC 5 6 2 1 F

■ CONTRAST TABLE

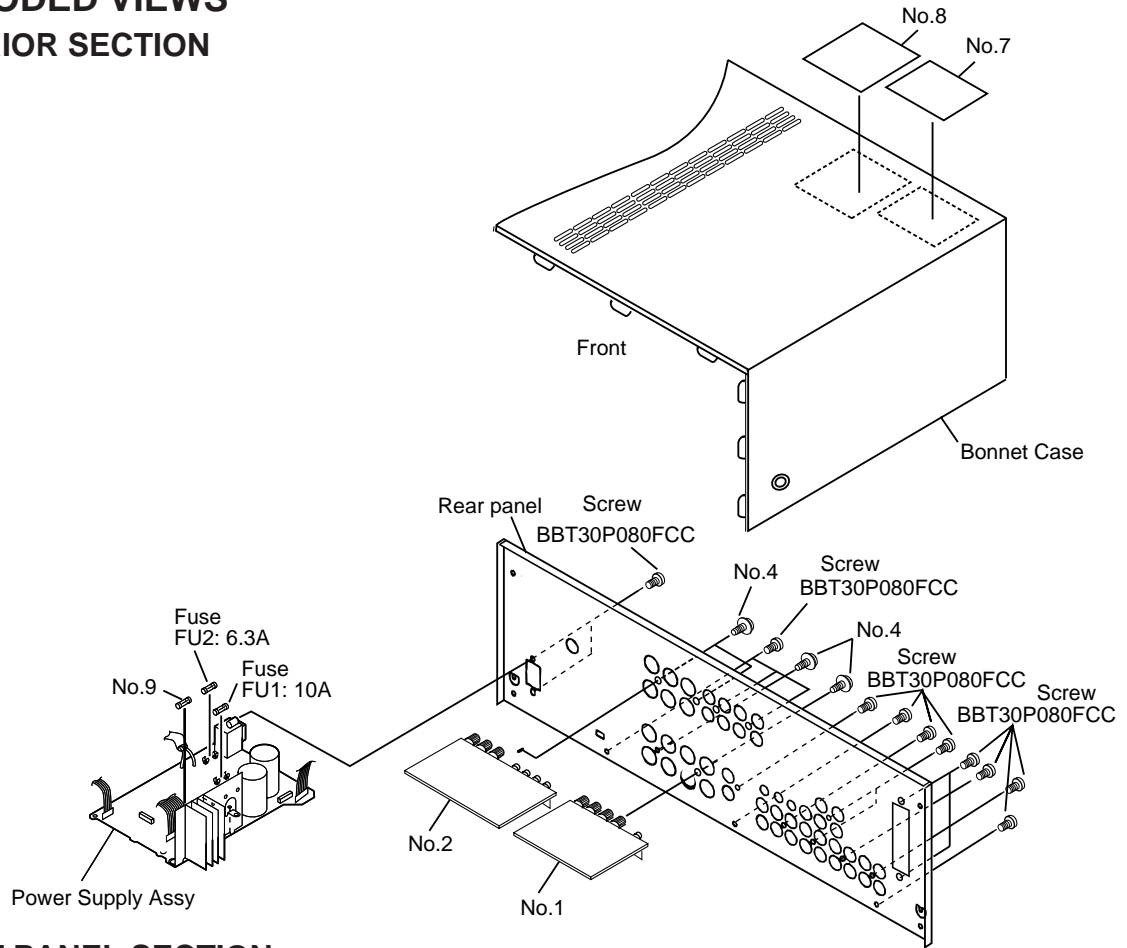
VSX-11/KUXJI/CA and VSX-D507S/KUXJI are constructed the same except for the following :

| Ref. No. | Mark | Symbol and Description | Part No. | | Remarks |
|---|----------|----------------------------------|-----------|----------|---------|
| | | | VSX-D507S | VSX-11 | |
| | | | KUXJI | KUXJI/CA | |
| P5-1 P5-2 P5-3 | NSP | ASSEMBLIES | | | |
| | | MOTHER Assy | AWK7432 | AWK7437 | |
| | | └ INPUT Assy | AWX7102 | AWX7106 | |
| P5-6 P5-7 P6-2 P6-4 | NSP | └ R/C SP&6CH Assy | AWX7092 | Not used | |
| | | └ REG Assy | AWX7093 | AWX7203 | |
| | | └ HP&FAV Assy | AWX7103 | Not used | |
| P5-6 P5-7 P6-2 P6-4 | NSP | FRONT & PS Assy | AWK7433 | AWK7438 | |
| | | └ POWER SUPPLY Assy | AWX7096 | AWX7204 | |
| | | └ VIDEO Assy | AWX7105 | AWX7110 | |
| P5-11 P5-17 P5-19 P5-26 P5-30 | Δ | └ FL&UCOM Assy | AWX7104 | AWX7107 | |
| | | └ VOLUME Assy | AWX7097 | AWX7205 | |
| | | ELITE ASSY | Not used | AWK7439 | |
| P3-3 P3-4 P3-11 | NSP | └ LARGE FSP Assy | Not used | AWX7108 | No.1 |
| | | └ LAGE RCSP Assy | Not used | AWX7109 | No.2 |
| | | └ HP ASSY | Not used | AWX7159 | No.3 |
| P3-3 P3-4 P3-11 | NSP | PACKING | | | |
| | | Operating Instructions (English) | ARB7134 | ARB7135 | |
| | | Warranty Card | ARY1051 | ARY7007 | |
| P5-11 P5-17 P5-19 P5-26 P5-30 | Δ | Packing Case | AHD7554 | AHD7556 | |
| | | EXTERIOR SECTION | | | |
| | | Power Transformer T1 (AC120V) | ATS7207 | ATS7208 | |
| P5-11 P5-17 P5-19 P5-26 P5-30 | Δ | Flat Flexible Cable (12P) | ADD7090 | ADD7091 | |
| | | Rear Panel | ANC7624 | ANC7626 | |
| | | Foot Assy (Rear Side) | REC1263 | Not used | |
| P5-11 P5-17 P5-19 P5-26 P5-30 | Δ | Screw | ABA7043 | ABA1022 | |
| | | Screw | Not used | ABA1193 | No.4 |
| | | Screw | Not used | ABA7023 | No.5 |
| P5-11 P5-17 P5-19 P5-26 P5-30 | Δ | Screw | Not used | ABA7035 | No.6 |
| | | FCC Label | Not used | VRW1725 | No.7 |
| | | DOC Label | Not used | VRW1726 | No.8 |
| P5-11 P5-17 P5-19 P5-26 P5-30 | Δ | Fuse (FU4: 10A) | Not used | REK1087 | No.9 |
| | | FRONT PANEL SECTION | | | |
| | | Sub Panel | AAP7041 | AAP7039 | |
| P6-16 P6-17 P6-24 | Δ | Front Panel | AMB7486 | AMB7487 | |
| | | Housing 5P Shield | ADX7238 | Not used | |
| | | Plate Spring | Not used | ABK7011 | No.10 |
| P6-16 P6-17 P6-24 | Δ | Door Hinge L | Not used | AMR7171 | No.11 |
| | | Door Hinge R | Not used | AMR7172 | No.12 |
| | | Door Panel | Not used | AAK7561 | No.13 |
| P6-16 P6-17 P6-24 | Δ | PVC Panel | Not used | AAK7534 | No.14 |
| | | Dumper Assy | Not used | AXA7046 | No.15 |
| | | Door Plate | Not used | ANG7187 | No.16 |
| P6-16 P6-17 P6-24 | Δ | Collar Spacer | Not used | AEC7146 | No.17 |

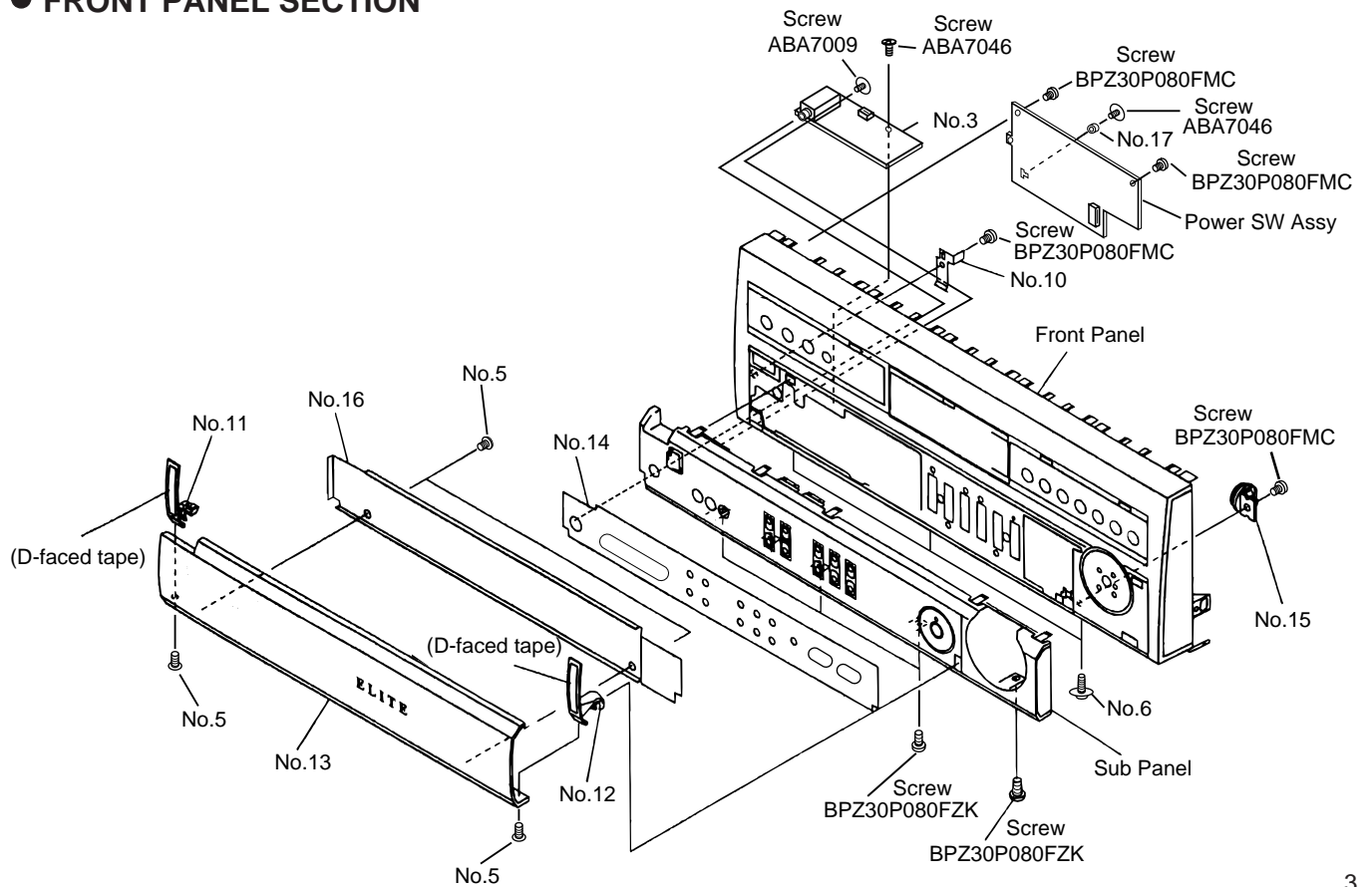
Note: • The numbers in the remarks column correspond to the numbers on the exploded diagram, Refer to “EXPLODED VIEWS”.
 • For ASSEMBLIES, Refer to “ ■ CONTRAST OF PCB ASSEMBLIES” and “2. SCHEMATIC AND PCB DIAGRAMS”.

■ EXPLODED VIEWS

● EXTERIOR SECTION



● FRONT PANEL SECTION



VSX-11

■ CONTRAST OF PCB ASSEMBLIES

F 1/2 **F** 2/2 INPUT ASSY

AWX7106 and AWX7102 are constructed the same except for the following :

| Mark | Symbol and Description | Part No. | | Remarks |
|------|---|--|---|---------|
| | | AWX7102 | AWX7106 | |
| | IC151, IC181, IC201, IC221 Q101, Q102 C151, C152 | NJM4558D Not used CEAT2R2M50 | UPC4570C 2SC2878 ACH7004 (2.2μF/50V) ACH7096 (220μF/16V) CEAT101M16 | |
| | C153, C154 | CEAT221M16 | ACH7096 (220μF/16V) | |
| | C155, C156, C260, C265, C269, C273 | CEAT101M10 | CEAT101M16 | |
| | C181, C182, C189, C190 | CEAT4R7M50 | ACH7003 (4.7μF/50V) | |
| | C203, C361 | CEAT221M10 | ACH7096 (220μF/16V) | |
| | C211, C219 C272, C294 C313, C314, C1313, C1314 | CEAT4R7M50 CCCSL221J50 CEAT1R0M50 | CEZA4R7M50 CCCSL221K2H CEAT1R0M2A | |
| | C323, C324, C1323, C1324, C1365 R119, R120 R121, R122 R123, R124 R145, R146 | CEANP2R2M50 Not used Not used Not used RD1/4PU272J | CEANP2R2M2A RD1/4PU122J RD1/4PU102J RD1/4PU223J RDR1/6PU272J | |
| | R147, R148 | RD1/4PU182J | RDR1/6PU182J | |
| | CN108 PLUG 5P | KM250MA5 | Not used | |
| | CN114 PIN JACK 4P | AKB7015 | Not used | |
| | CN351 PIN JACK 6P | AKE7006 | Not used | |
| NSP | J19 JUMPER WIRE | Not used | DYY03-125-2651 | |
| NSP | J20 JUMPER WIRE | Not used | DYY08-100-2651 | |
| | 114 PIN JACK 6P | Not used | AKB7012 | |
| | 353 CONNECTOR ASSY 3P | Not used | 51052-0300 | |
| | 354 CONNECTOR ASSY 8P | Not used | 51052-0800 | |

G F FL&UCOM ASSY

AWX7107 and AWX7104 are constructed the same except for the following :

| Mark | Symbol and Description | Part No. | | Remarks |
|------|------------------------|-----------------------------------|--------------------------------|---------|
| | | AWX7104 | AWX7107 | |
| | D621 D622 R654 | 1SS254 Not used RD1/4PU103J | Not used 1SS254 Not used | |

B REG ASSY

AWX7203 and AWX7093 are constructed the same except for the following :

| Mark | Symbol and Description | Part No. | | Remarks |
|------|------------------------|--------------------------|--------------------------|---------|
| | | AWX7093 | AWX7203 | |
| | C503, C504 C506 | CEAT101M16 CEAT101M10 | CEBA101M16 CEAT101M16 | |

I F POWER SUPPLY ASSY

AWX7204 and AWX7096 are constructed the same except for the following :

| Mark | Symbol and Description | Part No. | | Remarks |
|------|------------------------|-------------------------|--------------------------|---------|
| | | AWX7096 | AWX7204 | |
| | C707, C708 | CEAT472M25 | ACH7095 (4700μF/25V) | |
| | C715, C716 | ACH7018 (8200μF/71V) | ACH7094 (10000μF/71V) | |
| | H707, H708 (FUSE CLIP) | Not used | AKR1004 | |

L VIDEO ASSY

AWX7110 and AWX7105 are constructed the same except for the following :

| Mark | Symbol and Description | Part No. | | Remarks |
|------|--|--|--|---------|
| | | AWX7105 | AWX7110 | |
| | Q933 D934- D938 C932 R936, R937 R938, R939, R941 | Not used Not used Not used Not used Not used | 2SA933S 1SS254 CKCYB682K50 RD1/4PU224J RD1/4PU102J | |
| | R940 933 MINI JACK | Not used Not used | RD1/4PU103J AKN7002 | |

M VOLUME ASSY

AWX7205 and AWX7097 are constructed the same except for the following :

| Mark | Symbol and Description | Part No. | | Remarks |
|------|--|----------------------------------|--|---------|
| | | AWX7097 | AWX7205 | |
| | Q806, Q808 Q805, Q807 C805, C806 | 2SC2603 2SA1115 CEAT4R7M50 | 2SC5389 2SA1993 ACH7003 (4.7μF/50V) | |
| | C809, C810 C813, C814, C817, C818 | CEAT4R7M50 CEAT4R7M50 | CEZA4R7M50 ACH7003 (4.7μF/50V) | |
| | C822, C826 | CEAT4R7M50 | CEZA4R7M50 | |

PCB PARTS LIST

| Mark | No. | Description | Part No. | Mark | No. | Description | Part No. |
|------|-----|-------------|----------|------|-----|-------------|----------|
|------|-----|-------------|----------|------|-----|-------------|----------|

N LARGE FSP ASSY

SEMICONDUCTORS

Q1001, Q1002 2SC2878

RESISTORS

All Resistors RD1/4PU□□□J

OTHERS

CN1001 SPEAKER TERMINAL 8P AKE7036
CN1002 JUMPER CONNECTOR 8P KPD8
CN1003 JUMPER CONNECTOR 3P KPD3
CN1004 PINJACK 2P AKB7008

RESISTORS

⚠ R1051, R1053, R1054 RD1/4PMF100J
⚠ R1055, R1057, R1058 RS1LMF4R7J
Other Resistors RD1/4PU□□□J

OTHERS

1051 CABLE HOLDER 3P 51052-0300
CN1051 FFC CONNECTOR 12P XKP3012
CN1052 SPEAKER TERMINAL 6P AKE7037
CN1053, CN1054 PINJACK 4P AKB7087
CN1055 JUMPER CONNECTOR 6P KPD6
J17 JUMPER WIRE DYY03-200-2651

P LARGE RCSP ASSY

SEMICONDUCTORS

IC1071, IC1072 NJM4558D
Q1051 KRA101M
Q1052 2SC1740S
Q1055 2SC2878
D1051, D1052 1SS254

COILS AND FILTERS

L1051, L1053, L1054 (0.7μH) ATH1004

SWITCHES AND RELAYS

RY1051, RY1052 ASR7001

CAPACITORS

C1071- C1074 CEAT2R2M50
C1051, C1053, C1054 CFTLA104J50
C1055- C1057, C1081, C1082 CGCYX473M16
C1075- C1078 CKPUYY103M16

O HP ASSY

SEMICONDUCTORS

Q1101, Q1102 2SC2878

CAPACITORS

C1101 CGCYX104M16

RESISTORS

R1103, R1104 RD1/4PU103J
Other Resistors RD1/2PM□□□J

OTHERS

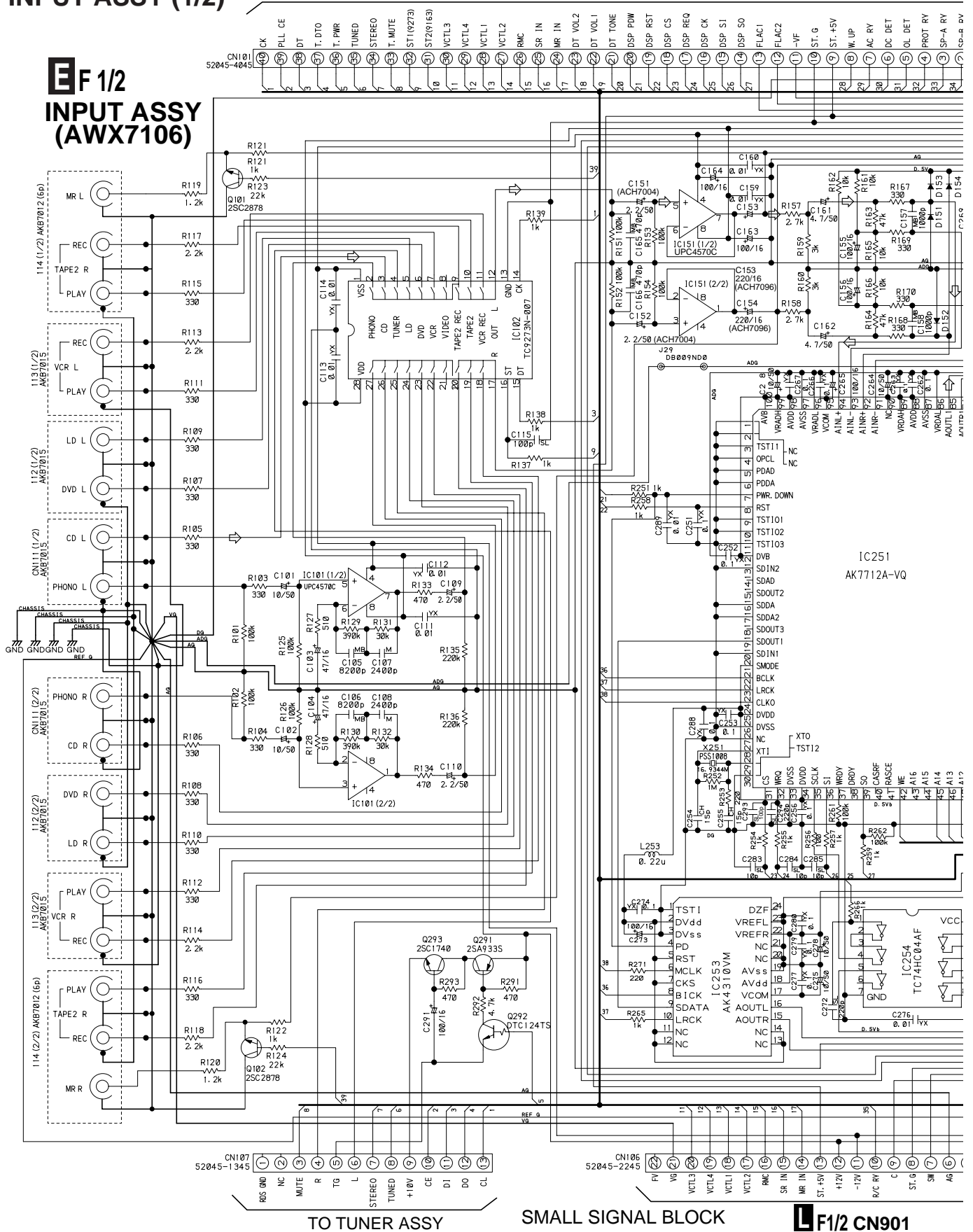
1102 GROUND PLATE VNF-091
CN1101 CONNECTOR 4P 52045-0445
JA1101 HEADPHONE JACK RKN1002

2. SCHEMATIC DIAGRAM

2.1 INPUT ASSY (1/2)

G F 1/2 CN601

F 1/2 INPUT ASSY (AWX7106)



TO TUNER ASSY

SMALL SIGNAL BLOCK

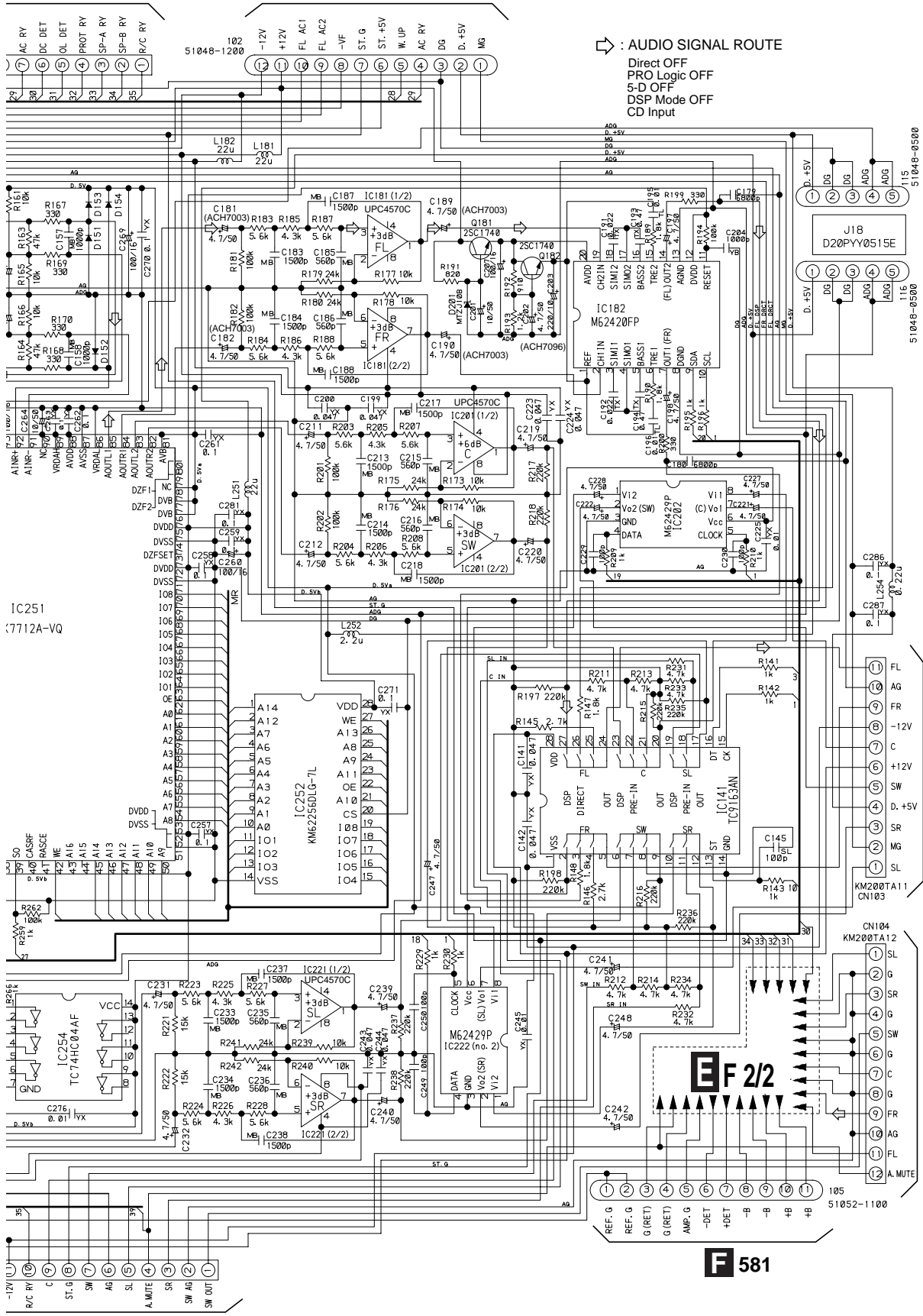
F 1/2 CN901

NOTE: When ordering service parts, be sure to refer to "PARTS LIST of EXPLODED VIEWS" or "PCB PARTS LIST".

B 502

⇨ : AUDIO SIGNAL ROUTE

- Direct OFF
- PRO Logic OFF
- 5-D OFF
- DSP Mode OFF
- CD Input



M CN801

M CN802

F 581

CN901



2.2 INPUT ASSY (2/2)

A

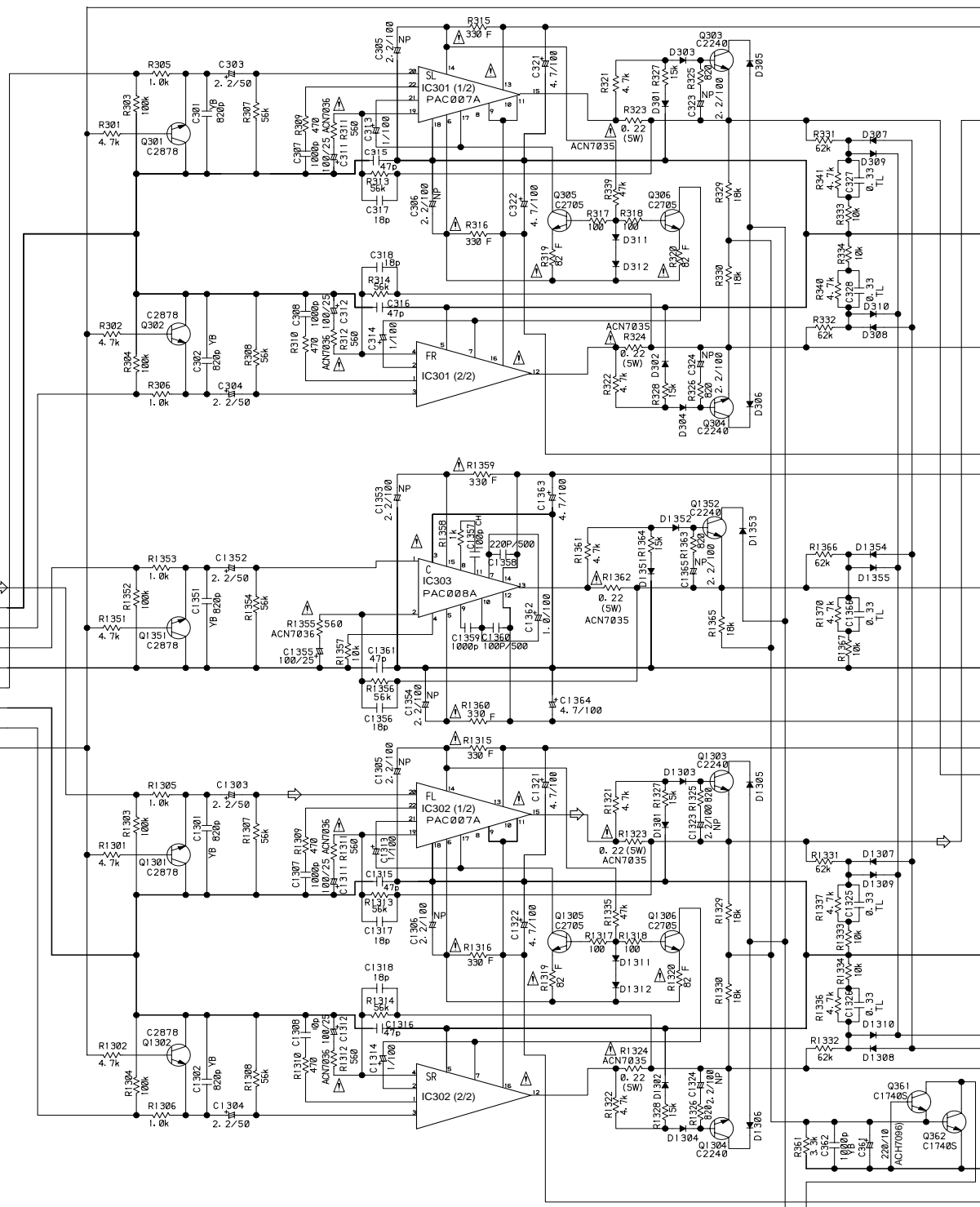
B

C

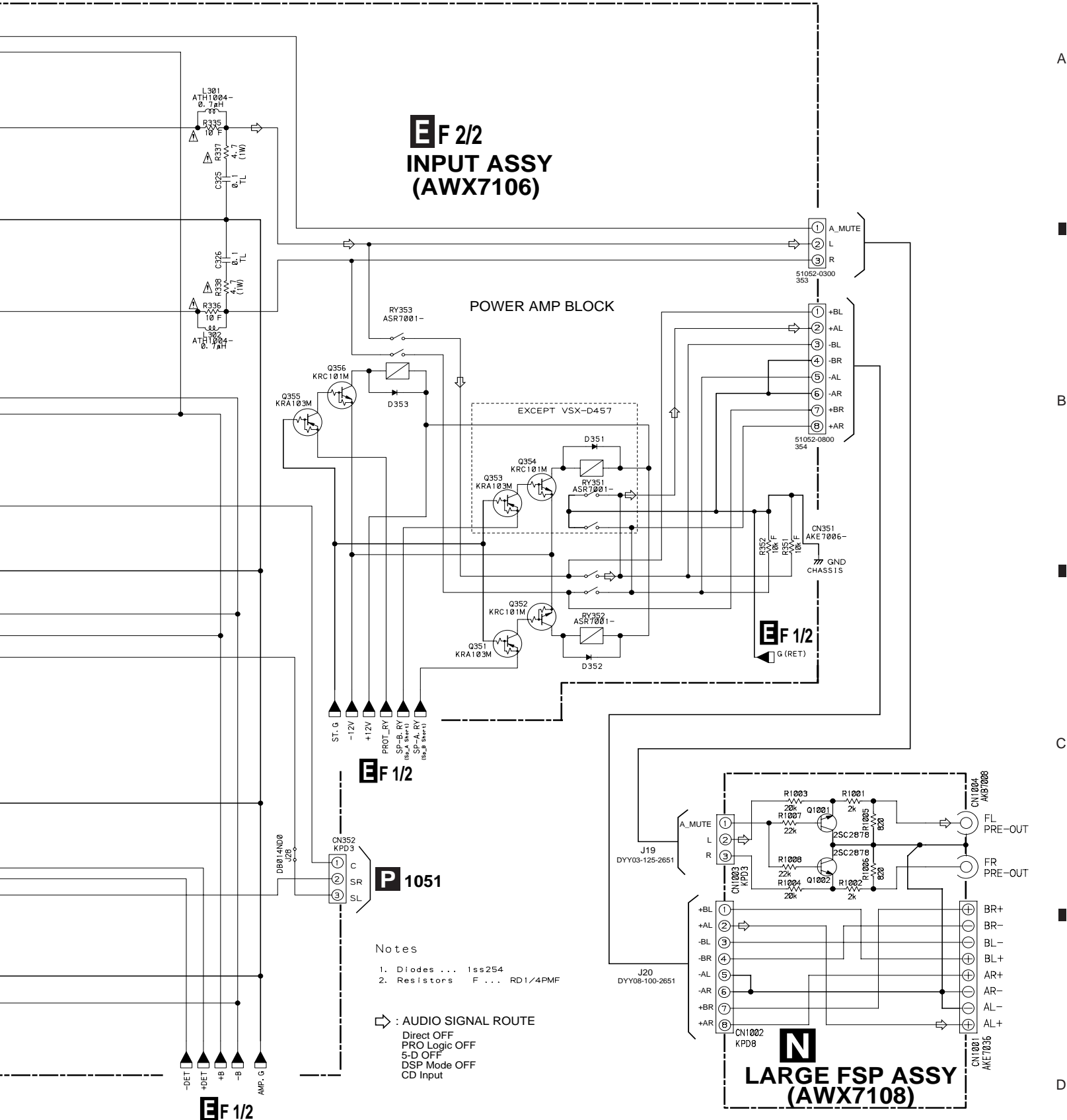
D

EF 1/2

EF 1/2



The \triangle mark found on some component parts the importance of the safety factor of the parts. Therefore, when replacing, be sure to use parts of identical designation.



VSX-11

2.3 FL&UCOM ASSY

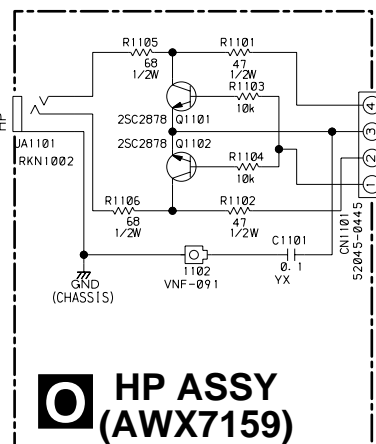
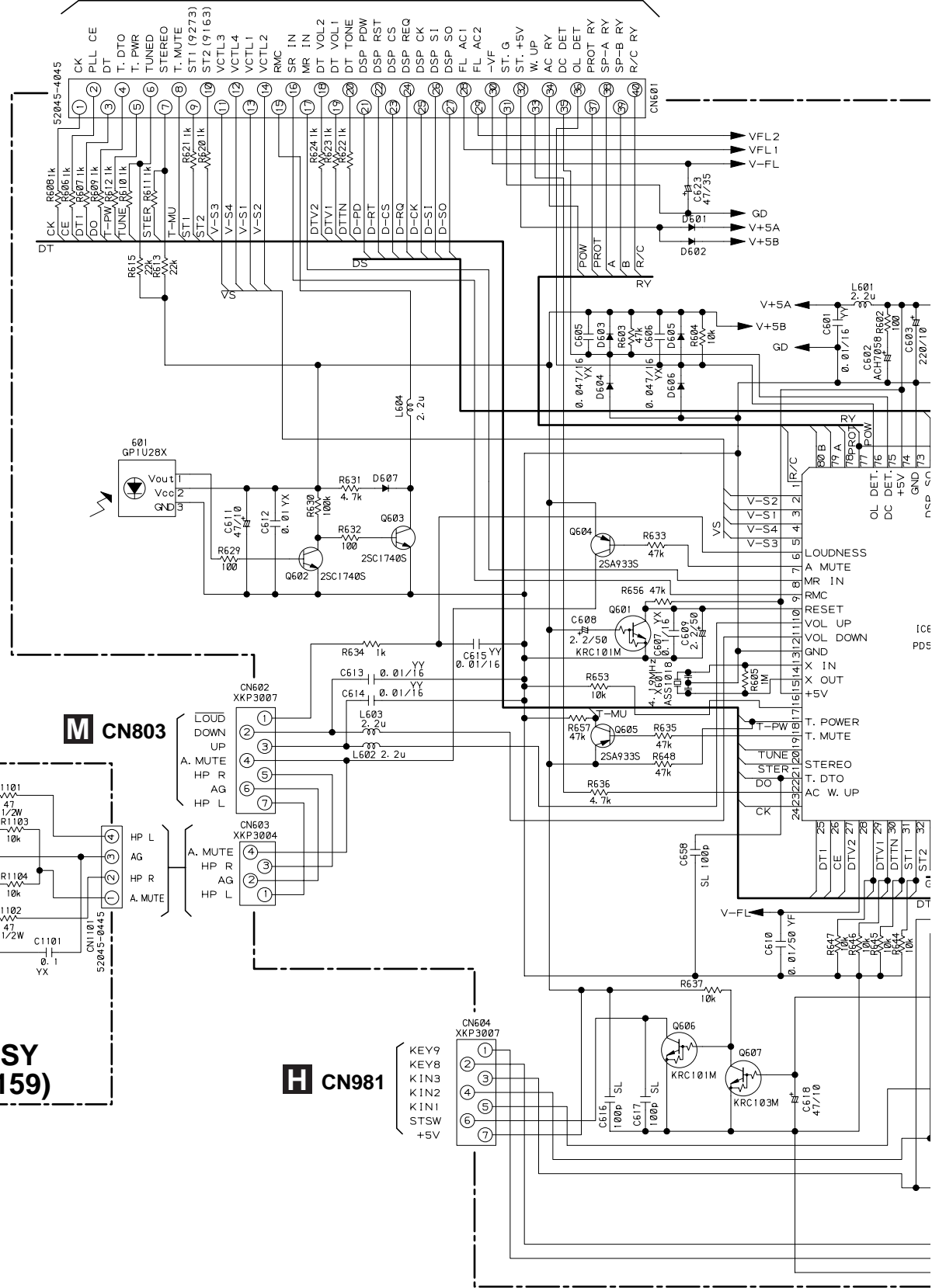
F 1/2 CN101

A

B

C

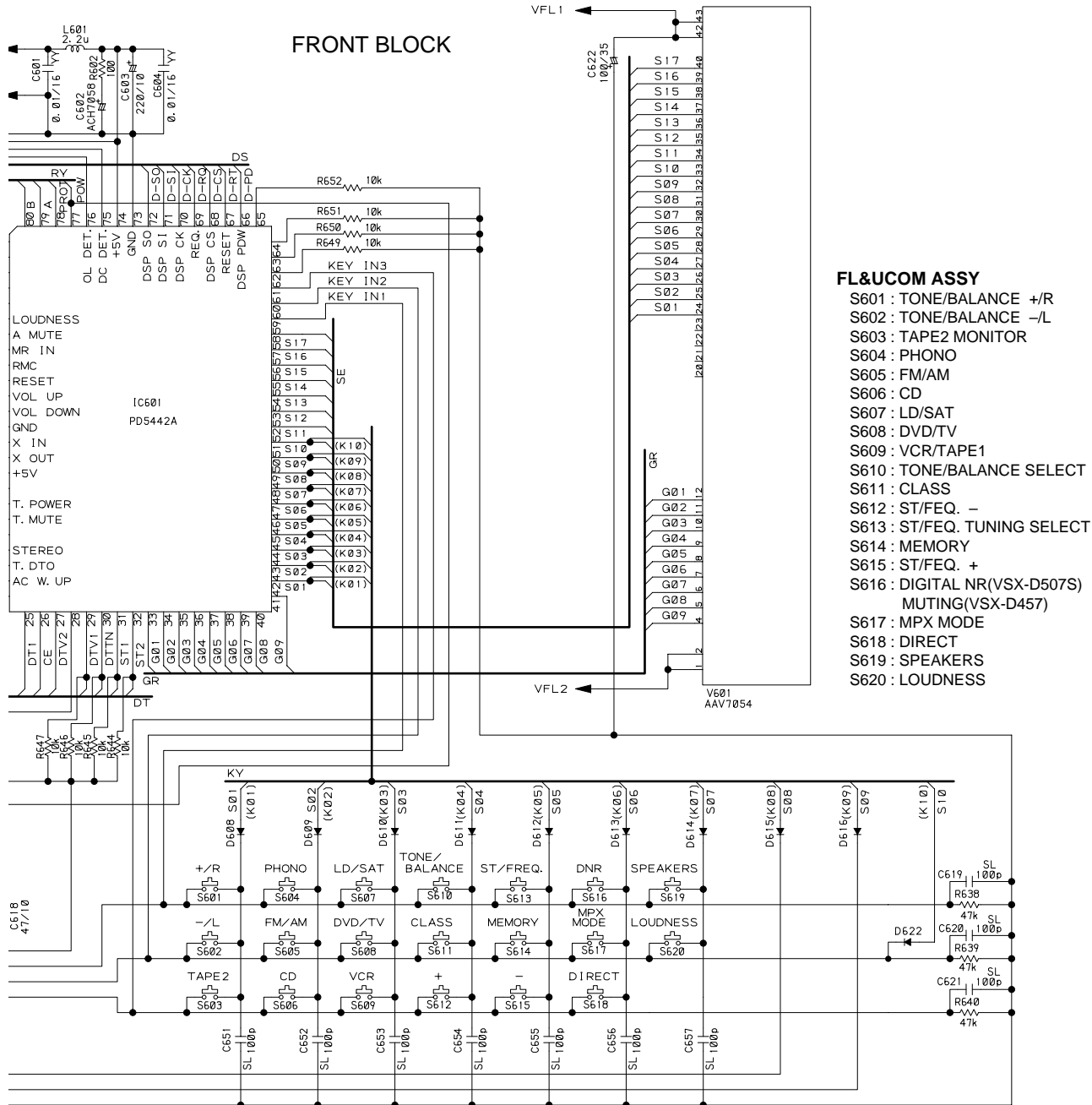
D



M CN803

H CN981

GF FL&UCOM ASSY (AWX7107)



VSX-11

2.4 POWER SUPPLY ASSY

A

B

C

D

POWER SUPPLY ASSY
S711 : IMPEDANCE SELECTOR

KP250NA11

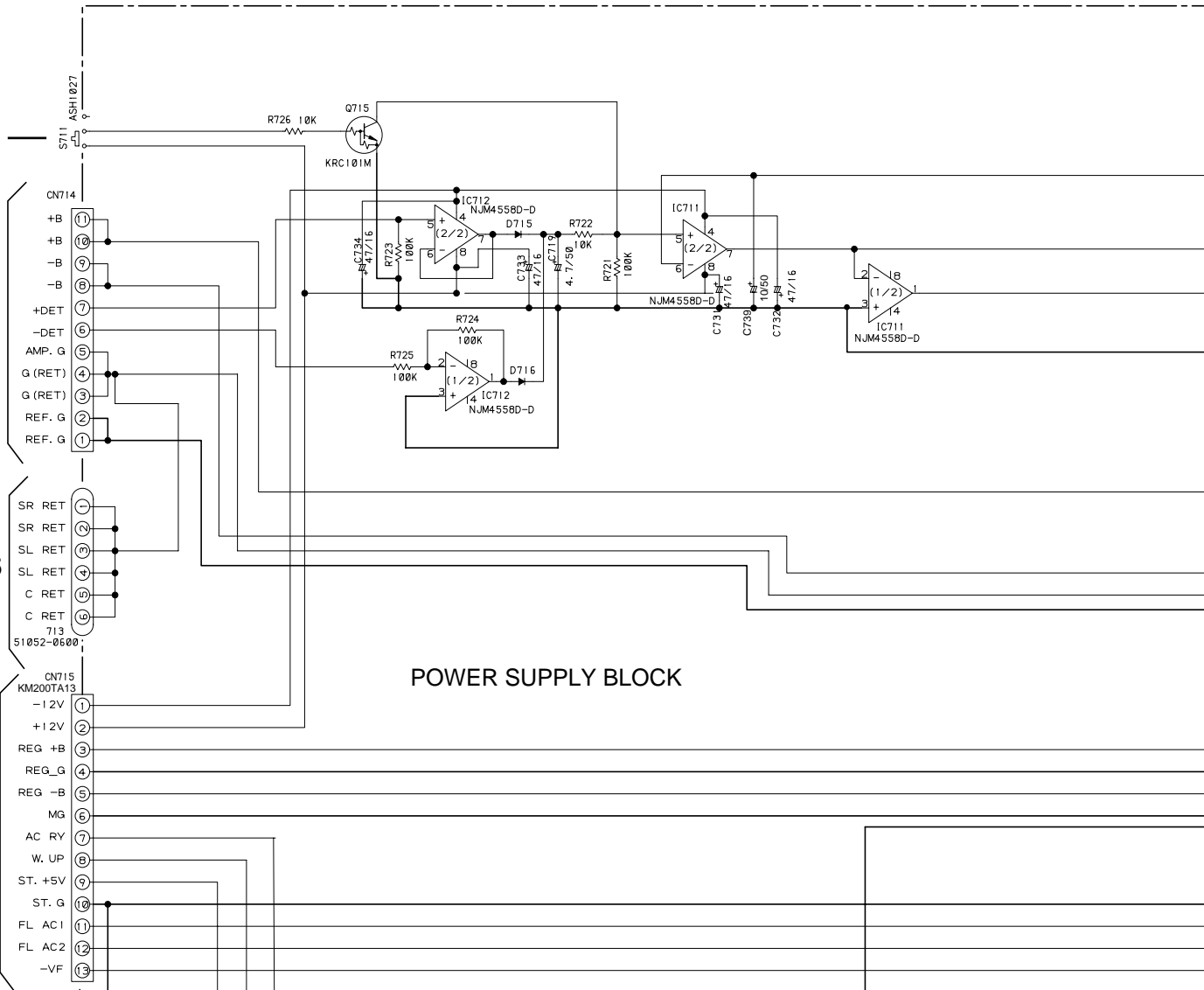
F CN582

J15
DYV06-150-2651

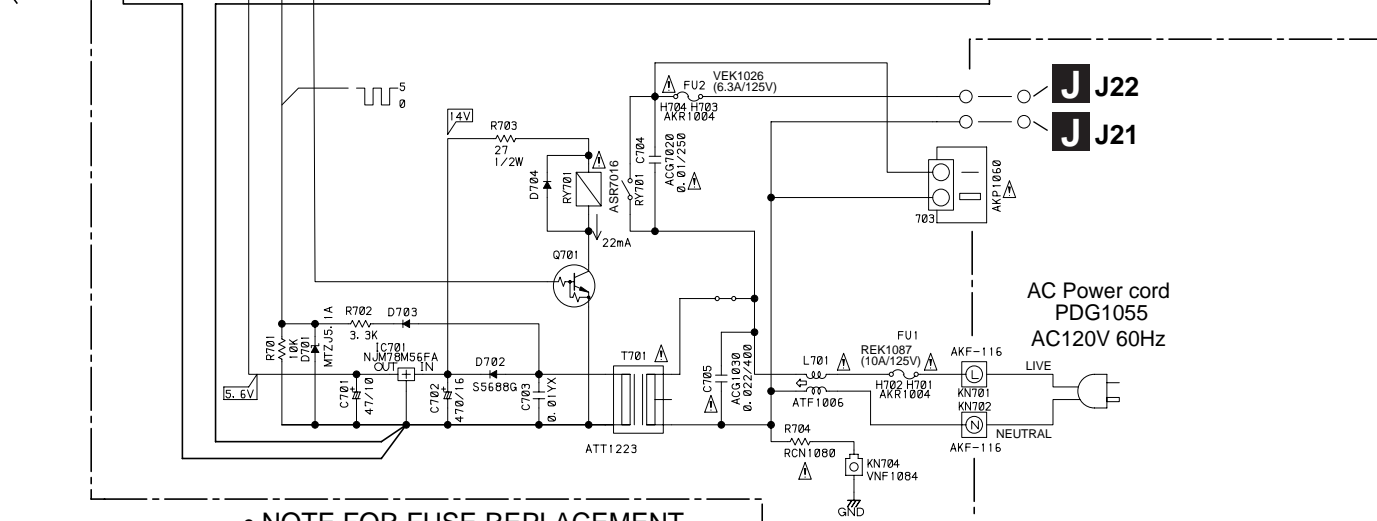
P CN1055

CN715
KM200TA13

D CN572



POWER SUPPLY BLOCK

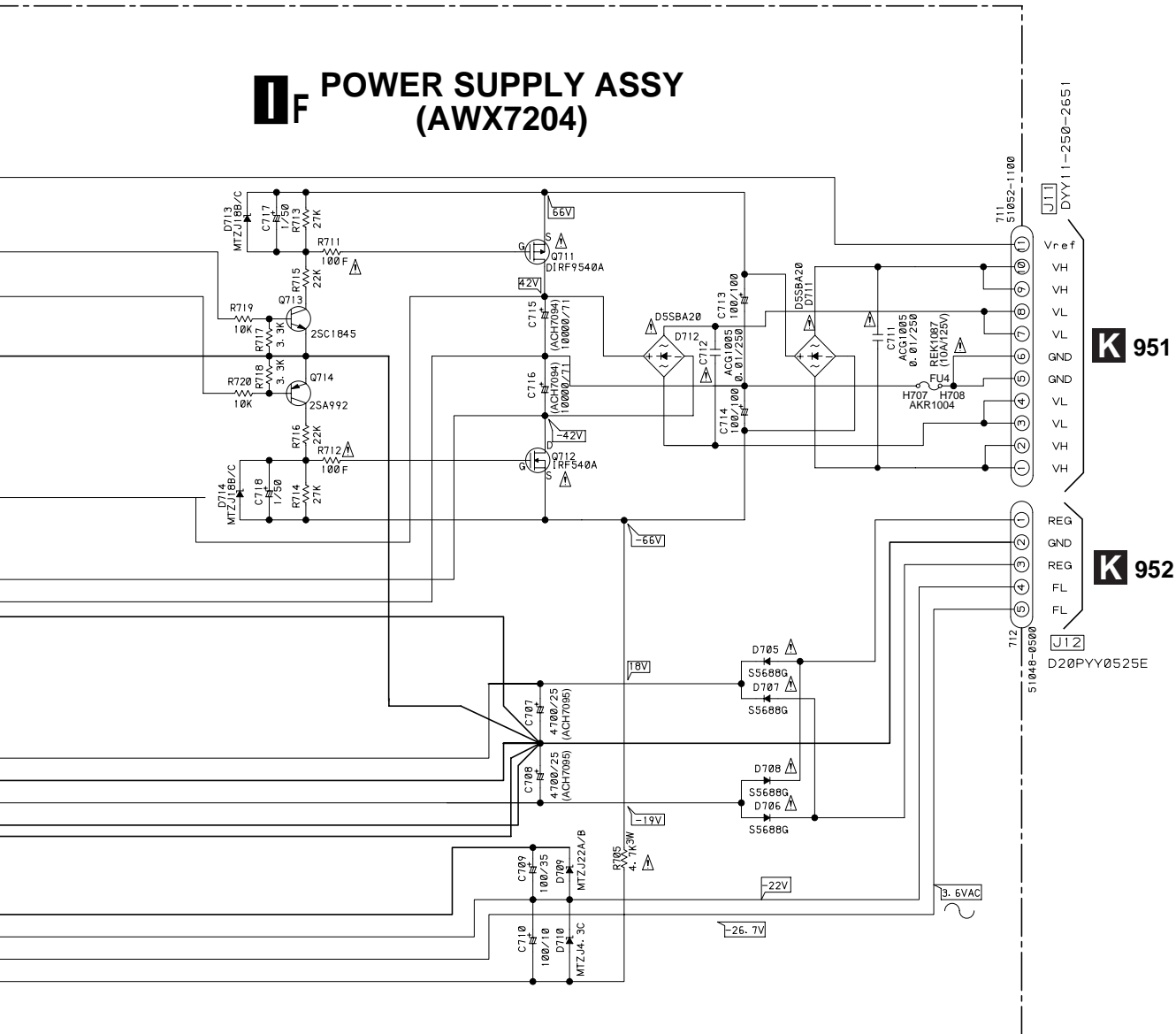


AC Power cord
PDG1055
AC120V 60Hz

• NOTE FOR FUSE REPLACEMENT

CAUTION -FOR CONTINUED PROTECTION AGAINST RISK OF FIRE.
REPLACE WITH SAME TYPE AND RATINGS ONLY.

POWER SUPPLY ASSY (AWX7204)



The Δ mark found on some component parts indicates the importance of the safety factor of the parts. Therefore, when replacing, be sure to use parts of identical designation.

VSX-11

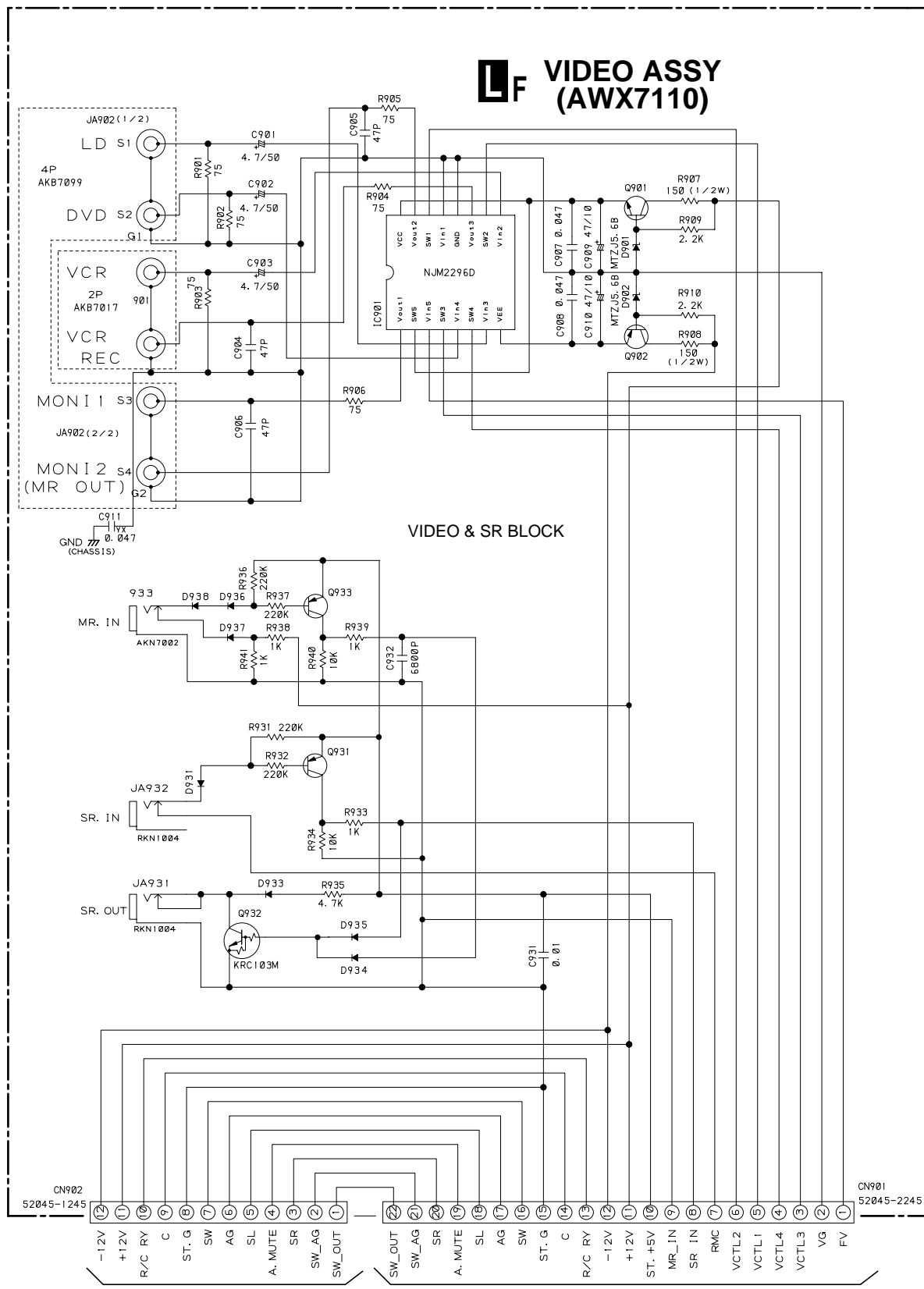
2.5 VIDEO ASSY

A

B

C

D

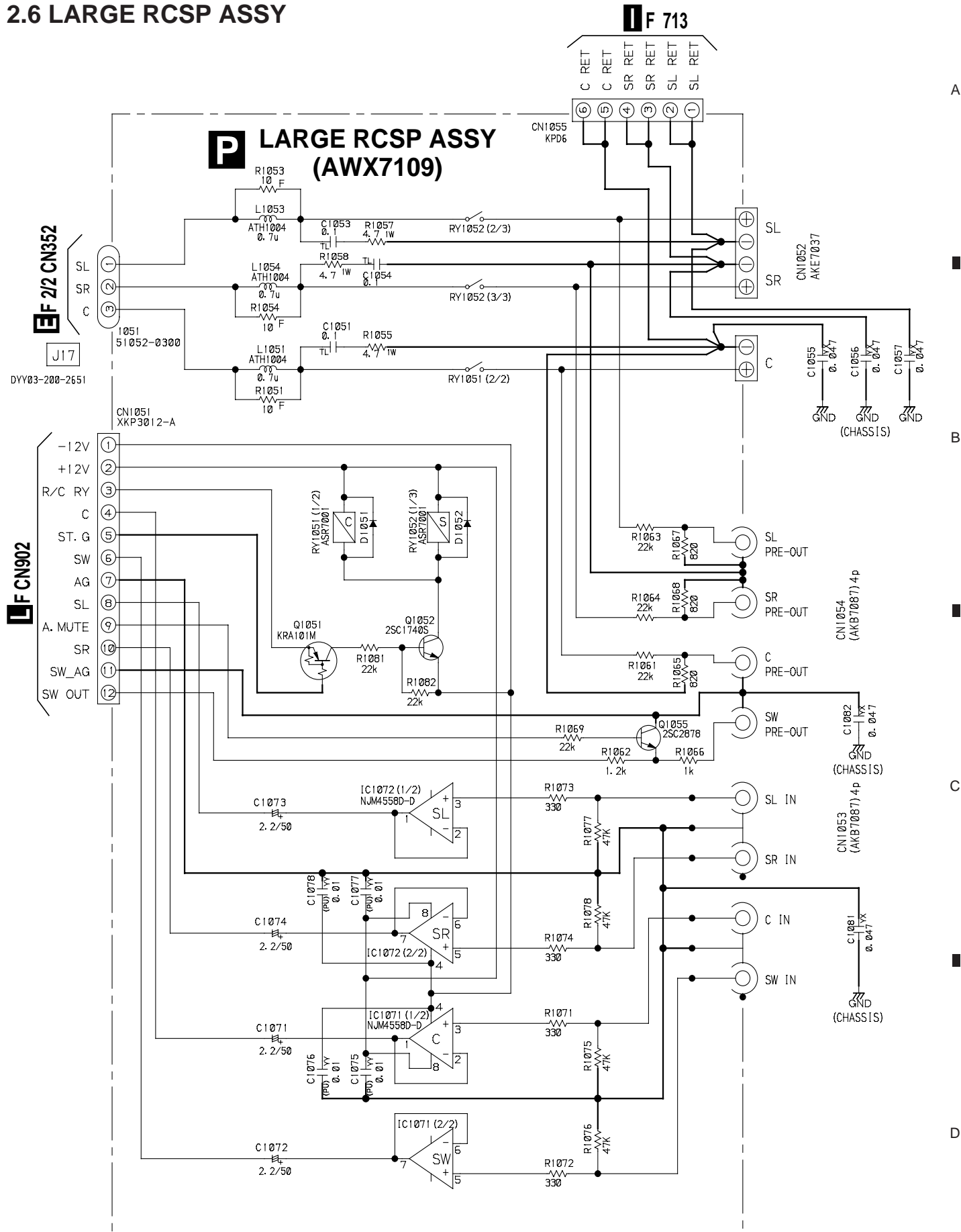


P CN1051

E F 1/2 CN106



2.6 LARGE RCSP ASSY



VSX-11

3. PCB CONNECTION DIAGRAM

3.1 LAEGE FSP, HP and LARGE RCSP ASSY

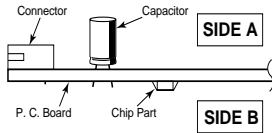
A

NOTE FOR PCB DIAGRAMS:
 1. Part numbers in PCB diagrams match those in the schematic diagrams.
 2. A comparison between the main parts of PCB and schematic diagrams is shown below.

| Symbol in PCB Diagrams | Symbol in Schematic Diagrams | Part Name |
|------------------------|------------------------------|--------------------------|
| | | Transistor |
| | | Transistor with resistor |
| | | Field effect transistor |
| | | Resistor array |
| | | 3-terminal regulator |

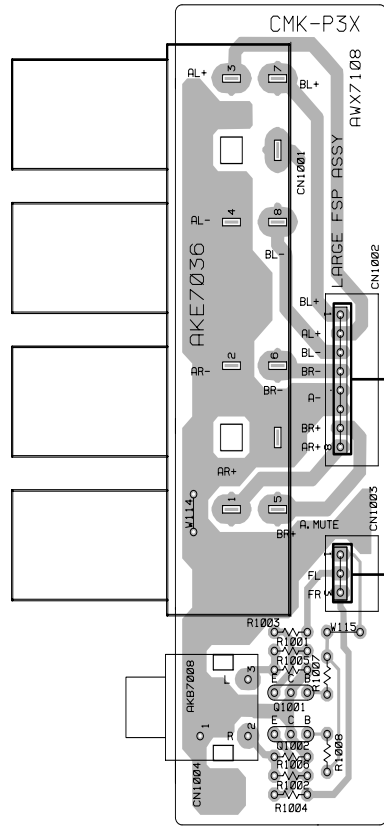
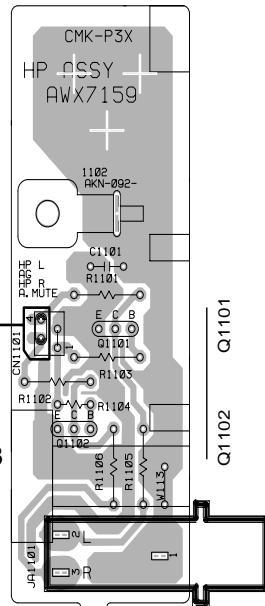
3. The parts mounted on this PCB include all necessary parts for several destination.
 For further information for respective destinations, be sure to check with the schematic diagram.

4. Viewport of PCB diagrams



N LARGE FSP ASSY

O HP ASSY



B

E 354

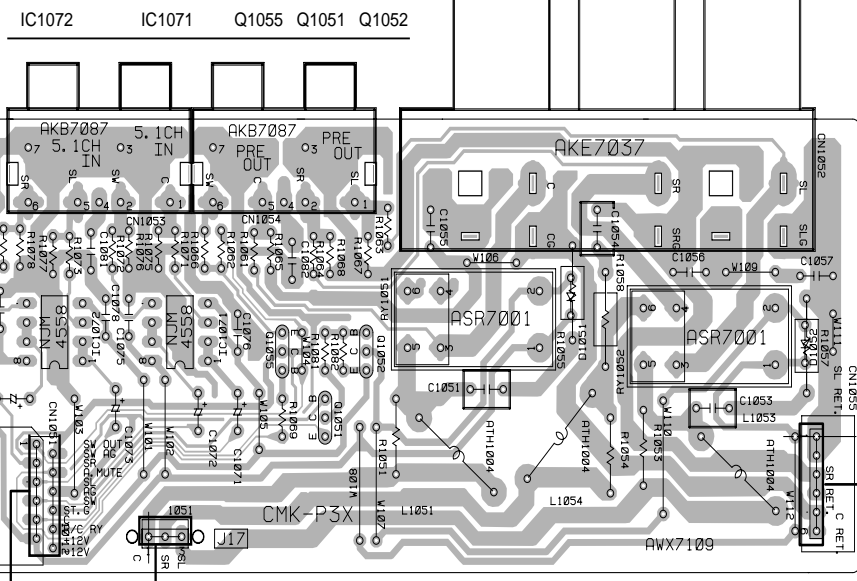
E 353

G CN603

Q1002 Q1001

P LARGE RCSP ASSY

SIDE A



L 713

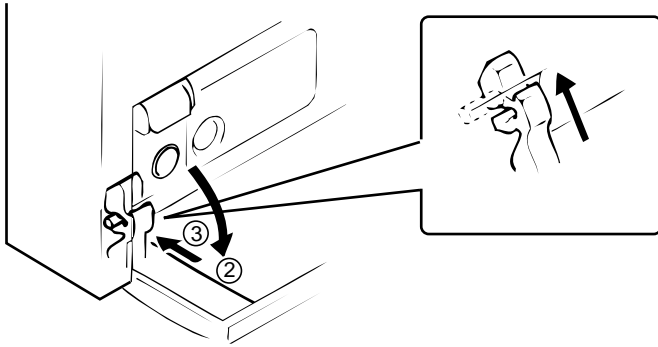
L CN902 E CN352

N O P

4. GENERAL INFORMATION

4.1 ATTACHING THE DOOR PANEL

- ① Slide the Door Panel slantways.
- ② Rotate it so that it is horizontal.
- ③ Push it straight in.



- ④ Move it downwards a little, and push in with bending it.

